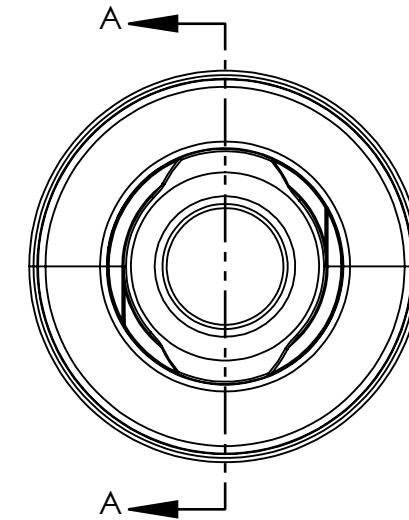
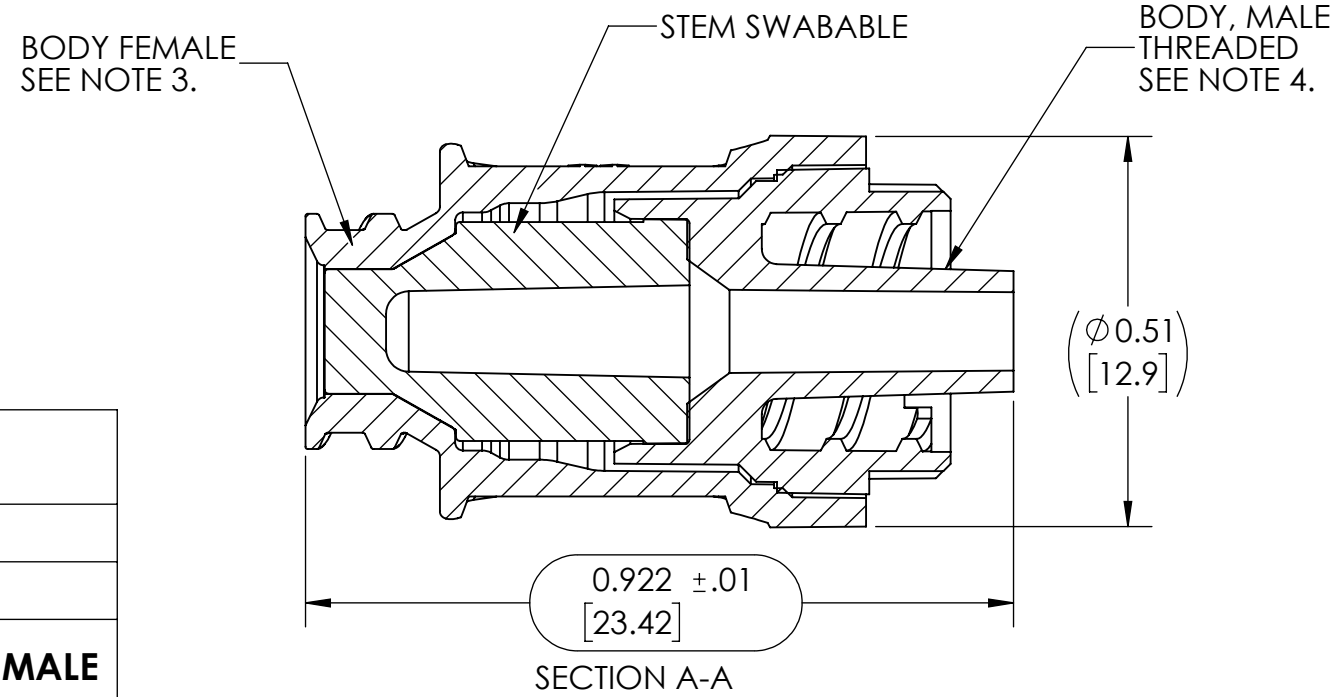


| REV | DESCRIPTION (ECO) | DATE | APPROVED |
|-----|-----------------------------------------------------------------------|----------|----------|
| C | UPDATED ASSEMBLY PART NUMBERS ECO 12614 | 4/11/24 | DK |
| D | UPDATE NOTES, ADD ISO NOTE 3 AND 4. UPDATE OAL TO .922±.010 ECO 12922 | 01/17/25 | DK |



| 1ST SUFFIX "X" | STEM SWABABLE | |
|----------------|---------------|-----------|
| 0 | BLUE STEM | |
| 5 | CLEAR STEM | |
| 2ND SUFFIX "X" | BODY FEMALE | BODY MALE |
| Q | YELLOW | CLEAR |
| Y | YELLOW | YELLOW |

NOTES:

1. SUFFIX INDICATORS, FULL PART NUMBERS:

- 245205024Q - BLUE STEM, YELLOW POLYCARBONATE FEMALE HOUSING AND CLEAR POLYCARBONATE MALE HOUSING.
- 245205024Y - BLUE STEM, YELLOW POLYCARBONATE HOUSING.
- 245205524Q - CLEAR STEM, YELLOW POLYCARBONATE FEMALE HOUSING AND CLEAR POLYCARBONATE MALE HOUSING.
- 245205524Y - CLEAR STEM, YELLOW POLYCARBONATE HOUSING.

- 2. CRITICAL DIMENSIONS ARE CIRCLED AND SUBJECT TO INSPECTION. DIMENSIONS IN PARENTHESES ARE FOR REFERENCE ONLY. ALL DIMENSIONS ARE IN INCHES, WITH MILLIMETERS SHOWN BELOW.
- 3. LUER COMPATIBLE WITH ISO594-2, AND ISO80369-7.
- 4. LUER COMFORMS TO ISO594-2, AND ISO80369-7.

MOLDED PARTS:
GATES, PARTING LINES, AND FLASH PER QUALITY CRITERIA

PROPRIETARY AND CONFIDENTIAL
THE INFORMATION CONTAINED IN THIS DRAWING IS SOLE PROPERTY OF HALKEY-ROBERTS CORPORATION, ST. PETERSBURG, FL. ANY REPRODUCTION IN PART OR AS A WHOLE WITHOUT THE WRITTEN PERMISSION OF HALKEY-ROBERTS CORPORATION IS PROHIBITED.

| | | | |
|------------------------------------|-----------|-------------------------------|----------|
| DRAWN BY | TB | DATE | 03/01/23 |
| APPROVED BY | SR | DATE | 03/01/23 |
| MATERIAL | SEE NOTES | | |
| FINISH | | | |
| UNLESS OTHERWISE SPECIFIED: | | THIRD ANGLE PROJECTION | |
| DIMENSIONS ARE IN INCHES | | | |
| TOLERANCES: | | | |
| ANGULAR: ± 1° | | | |
| TWO PLACE DECIMAL ± .01 | | SCALE | |
| THREE PLACE DECIMAL ± .005 | | 4:1 | |

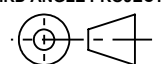
| | |
|------------------------------------|-----------------------------------|
| HR® Halkey-Roberts® | |
| TITLE SWABABLE VALVE, HD | |
| SIZE B | DRAWING NO. C245205X24X |
| SCALE 4:1 | SHEET 1 OF 2 |

BILL OF MATERIAL:

| PART NUMBERS | BODY FEMALE | BODY MALE THREADED | STEM SWABABLE |
|--------------|-----------------------|----------------------|-------------------------|
| 245205024Q | POLYCARBONATE, YELLOW | POLYCARBONATE CLEAR | SILICONE, BLUE COLORANT |
| 245205024Y | POLYCARBONATE, YELLOW | POLYCARBONATE YELLOW | SILICONE, BLUE COLORANT |
| 245205524Q | POLYCARBONATE, YELLOW | POLYCARBONATE, CLEAR | SILICONE, CLEAR |
| 245205524Y | POLYCARBONATE, YELLOW | POLYCARBONATE YELLOW | SILICONE, CLEAR |

MOLDED PARTS:
GATES, PARTING LINES, AND FLASH PER QUALITY CRITERIA

PROPRIETARY AND CONFIDENTIAL
THE INFORMATION CONTAINED IN THIS DRAWING IS SOLE PROPERTY OF HALKEY-ROBERTS CORPORATION, ST. PETERSBURG, FL. ANY REPRODUCTION IN PART OR AS A WHOLE WITHOUT THE WRITTEN PERMISSION OF HALKEY-ROBERTS CORPORATION IS PROHIBITED.

| | | | |
|------------------------------------|-----------|---------------------------------------------------------------------------------------|----------|
| DRAWN BY | TB | DATE | 03/01/23 |
| APPROVED BY | SR | DATE | 03/01/23 |
| MATERIAL | SEE NOTES | | |
| FINISH | | | |
| UNLESS OTHERWISE SPECIFIED: | | THIRD ANGLE PROJECTION | |
| DIMENSIONS ARE IN INCHES | |  | |
| TOLERANCES: | | | |
| ANGULAR: ± 1° | | | |
| TWO PLACE DECIMAL ± .01 | | | |
| THREE PLACE DECIMAL ± .005 | | | |

| | |
|---------------------------------------------|-----------------------------------|
| HR® Halkey-Roberts® | |
| TITLE SWABABLE VALVE, HD | |
| SIZE B | DRAWING NO. C245205X24X |
| SCALE 4:1 | REV D |
| SHEET DO NOT SCALE DRAWING 2 OF 2 | |