
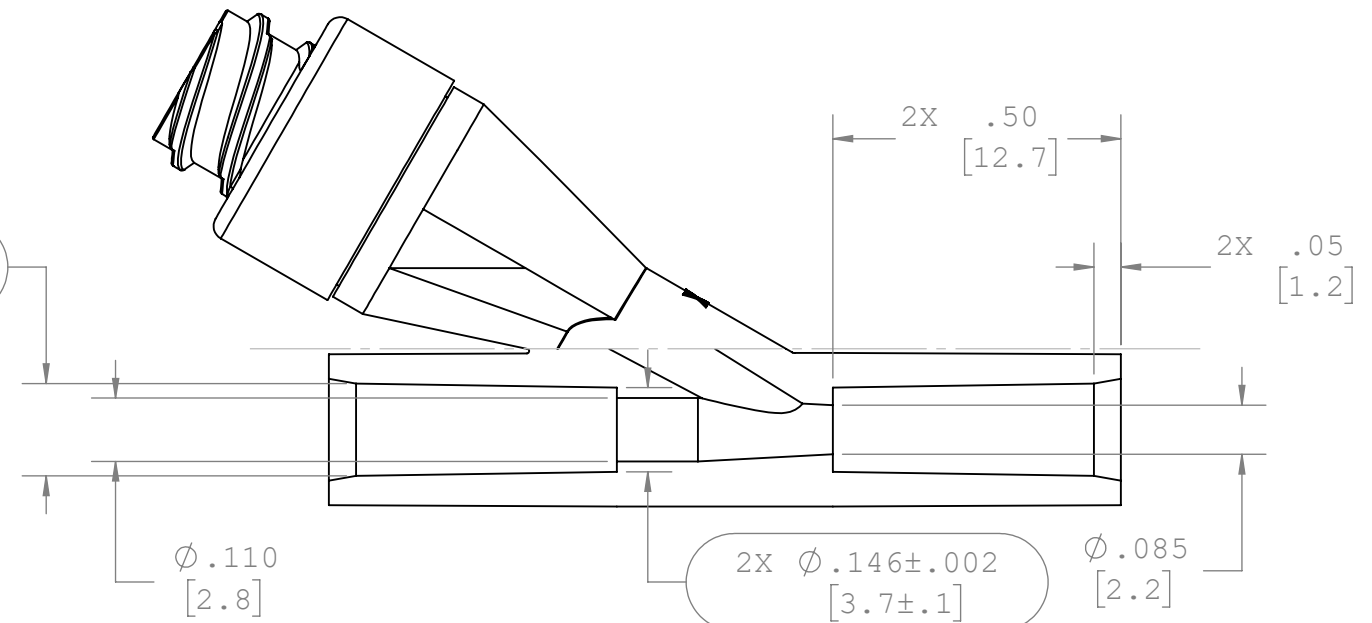
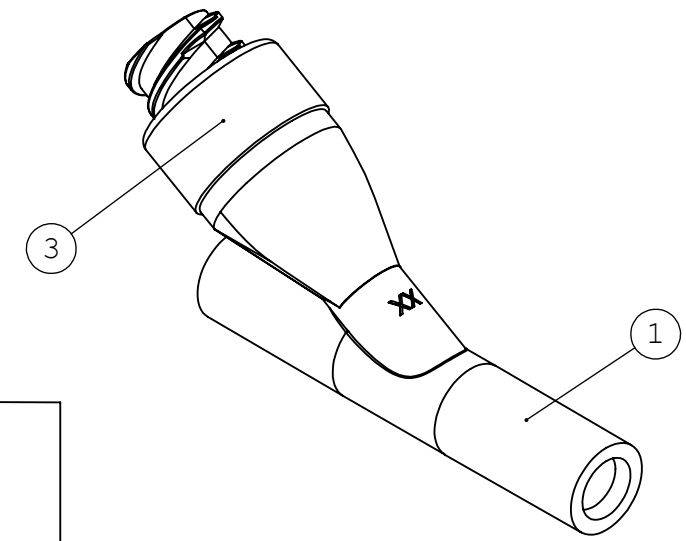
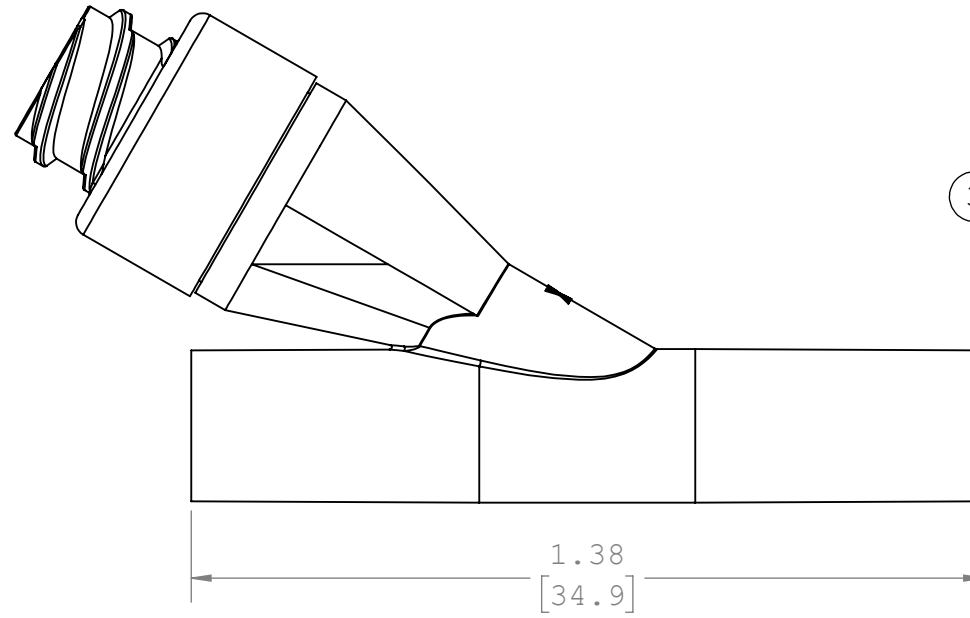
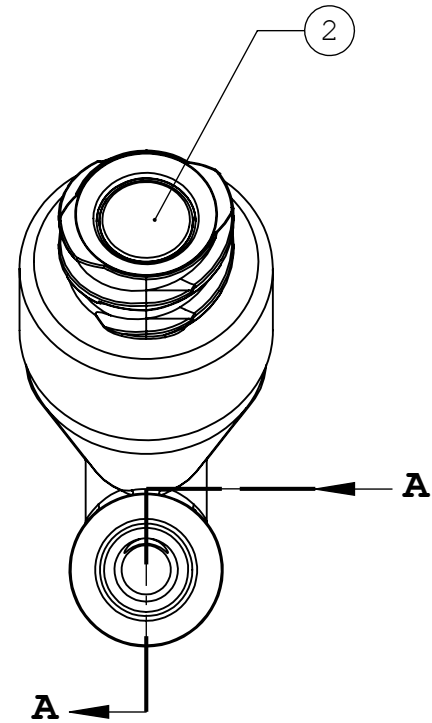


NOTES:

1. FOR ADDITIONAL DETAILS, PLEASE CONTACT HALKEY-ROBERTS CUSTOMER SERVICE.
2. DIMENSIONS MARKED  ARE CONTROL DIMENSIONS.
3. LUER COMPATIBLE WITH ISO 594-2 AND ISO 80369-7.
4. VALVE SPECIFICATIONS:
  1. BACK PRESSURE: >30 PSI [2.1 BAR], 40 PSI NOMINAL.
  2. BIOCOMPATABILITY: PASSES ISO 10993, PART 1.
  3. MATERIALS: ALL MATERIALS ARE GAMMA RESISTANT, MEET USP CLASS VI, ARE DEHP FREE, AND NOT MADE WITH NATURAL RUBBER LATEX.
  4. STERILIZATION: ETO AND GAMMA, BASED ON RAW MATERIAL SPECIFICATIONS.

REVISIONS			
REV.	DESCRIPTION	DATE	APPROVED
A	INITIAL RELEASE, ECO-13171	03/25/26	DK



Assembly SKU	Item No.	Description	Material	Color	QTY.
245624024-001	1	Y CONNECTOR, LARGE BORE	PC	CLEAR	1
	2	STEM, GAMMA	SILICONE	BLUE	1
	3	LUER BODY, FULL THREAD	PC	CLEAR	1
245624024-011	1	Y CONNECTOR, LARGE BORE	PC	CLEAR	1
	2	STEM, GAMMA	SILICONE	CLEAR	1
	3	LUER BODY, FULL THREAD	PC	CLEAR	1
245624060-001	1	Y CONNECTOR, LARGE BORE	COPOLYESTER	CLEAR	1
	2	STEM, GAMMA	SILICONE	BLUE	1
	3	LUER BODY, FULL THREAD	COPOLYESTER	CLEAR	1
245624060-011	1	Y CONNECTOR, LARGE BORE	COPOLYESTER	CLEAR	1
	2	STEM, GAMMA	SILICONE	CLEAR	1
	3	LUER BODY, FULL THREAD	COPOLYESTER	CLEAR	1

SECTION A-A

UNLESS OTHERWISE SPECIFIED DIMENSIONS ARE IN INCHES TOLERANCES ARE:		<b>HALKEY   ROBERTS®</b> A Nordson MEDICAL Company			
FRACTIONS ±      DECIMAL ±.01      ANGULAR ± 1° .XX ±.01      .XXX ±.005 .XXXX ±.001		PART NUMBER: C2456240XX-XXX			
DO NOT SCALE DRAWING		DESCRIPTION: Y PORT VALVE, 4.1mm			
DRAWN BY: allen.cuadra	DATE: 12/10/2025	SIZE: <b>B</b>	SCALE: NTS	VER: 	DWG. NO. 1883035
MANAGER: david.kundinger		HALKEY-ROBERTS®			SHEET: 1 OF 1