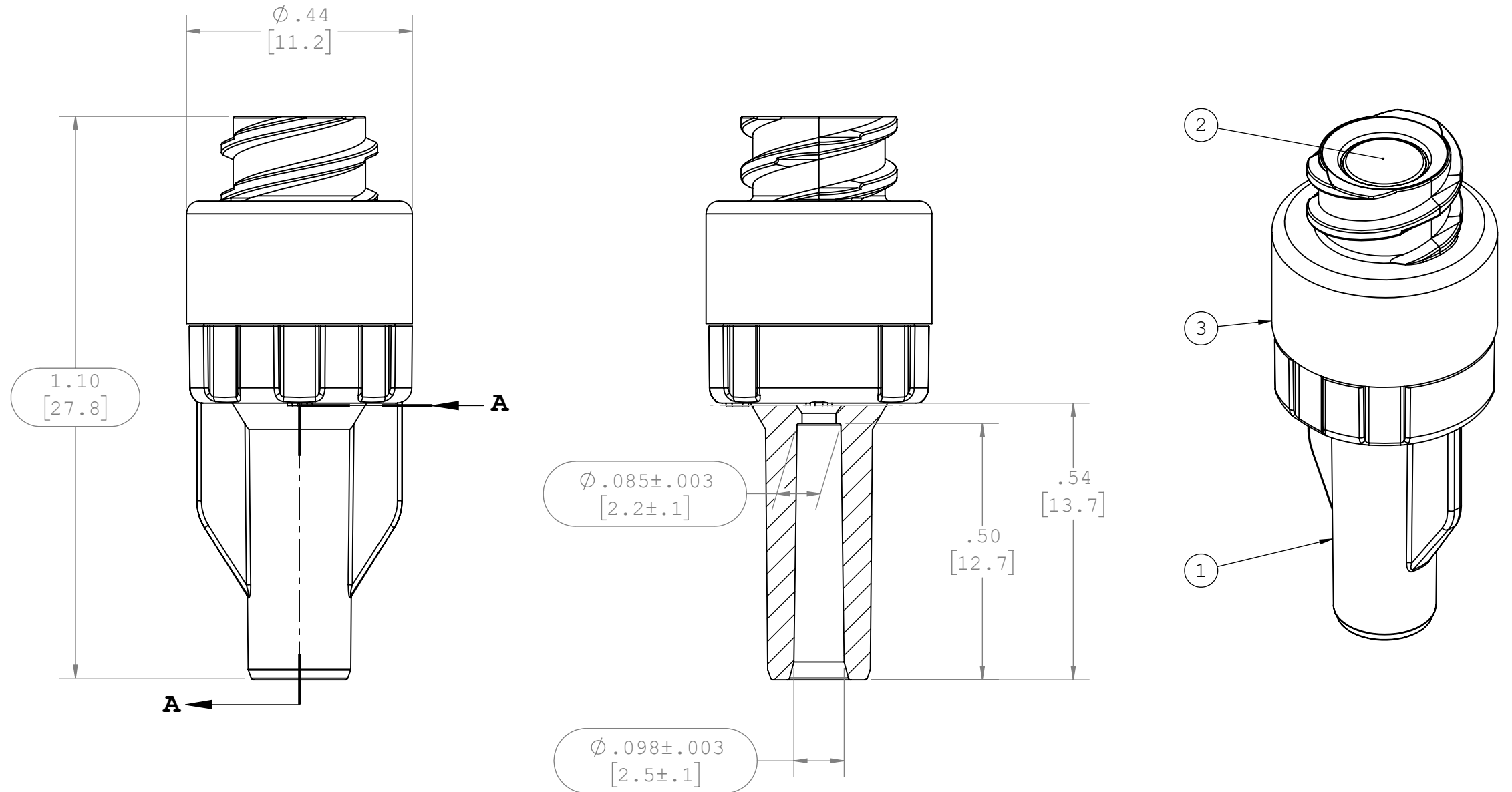


NOTES:

1. FOR ADDITIONAL DETAILS, PLEASE CONTACT HALKEY-ROBERTS CUSTOMER SERVICE.
2. DIMENSIONS MARKED ARE CONTROL DIMENSIONS.
3. LUER COMPATIBLE WITH ISO 594-2 AND ISO 80369-7.
4. VALVE SPECIFICATIONS:
 1. BACK PRESSURE: >30 PSI [2.1 BAR], 40 PSI NOMINAL.
 2. BIOCOMPATABILITY: PASSES ISO 10993, PART 1.
 3. MATERIALS: ALL MATERIALS ARE GAMMA RESISTANT, MEET USP CLASS VI, ARE DEHP FREE, AND NOT MADE WITH NATURAL RUBBER LATEX.
 4. STERILIZATION: ETO AND GAMMA, BASED ON RAW MATERIAL SPECIFICATIONS.

| REVISIONS | | | |
|-----------|----------------------------|----------|----------|
| REV. | DESCRIPTION | DATE | APPROVED |
| A | INITIAL RELEASE, ECO-13171 | 03/25/26 | DK |



SECTION A-A

| Assembly SKU | Item No. | Description | Material | Color | QTY. |
|---------------|----------|---------------------------|-------------|-------|------|
| 245525024-001 | 1 | TUBE END CONNECTOR, 2.5mm | PC | CLEAR | 1 |
| | 2 | STEM, GAMMA | SILICONE | BLUE | 1 |
| | 3 | LUER BODY, FULL THREAD | PC | CLEAR | 1 |
| 245525060-001 | 1 | TUBE END CONNECTOR, 2.5mm | COPOLYESTER | CLEAR | 1 |
| | 2 | STEM, GAMMA | SILICONE | BLUE | 1 |
| | 3 | LUER BODY, FULL THREAD | COPOLYESTER | CLEAR | 1 |

| | | | | | |
|---|-----------------|----------------------------|--------|------|----------|
| UNLESS OTHERWISE SPECIFIED DIMENSIONS ARE IN INCHES TOLERANCES ARE: | | HALKEY ROBERTS® | | | |
| | | A Nordson MEDICAL Company | | | |
| PART NUMBER: | | C2455250XX-XXX | | | |
| DESCRIPTION: | | TUBE END PORT VALVE, 2.5mm | | | |
| DRAWN BY: | DATE: | SIZE: | SCALE: | VER: | DWG. NO. |
| allen.cuadra | 12/10/2025 | B | NTS | | 1883033 |
| MANAGER: | SHEET: | | REV: | | |
| david.kundinger | HALKEY-ROBERTS® | | A | | 1 OF 1 |

FOR REFERENCE ONLY