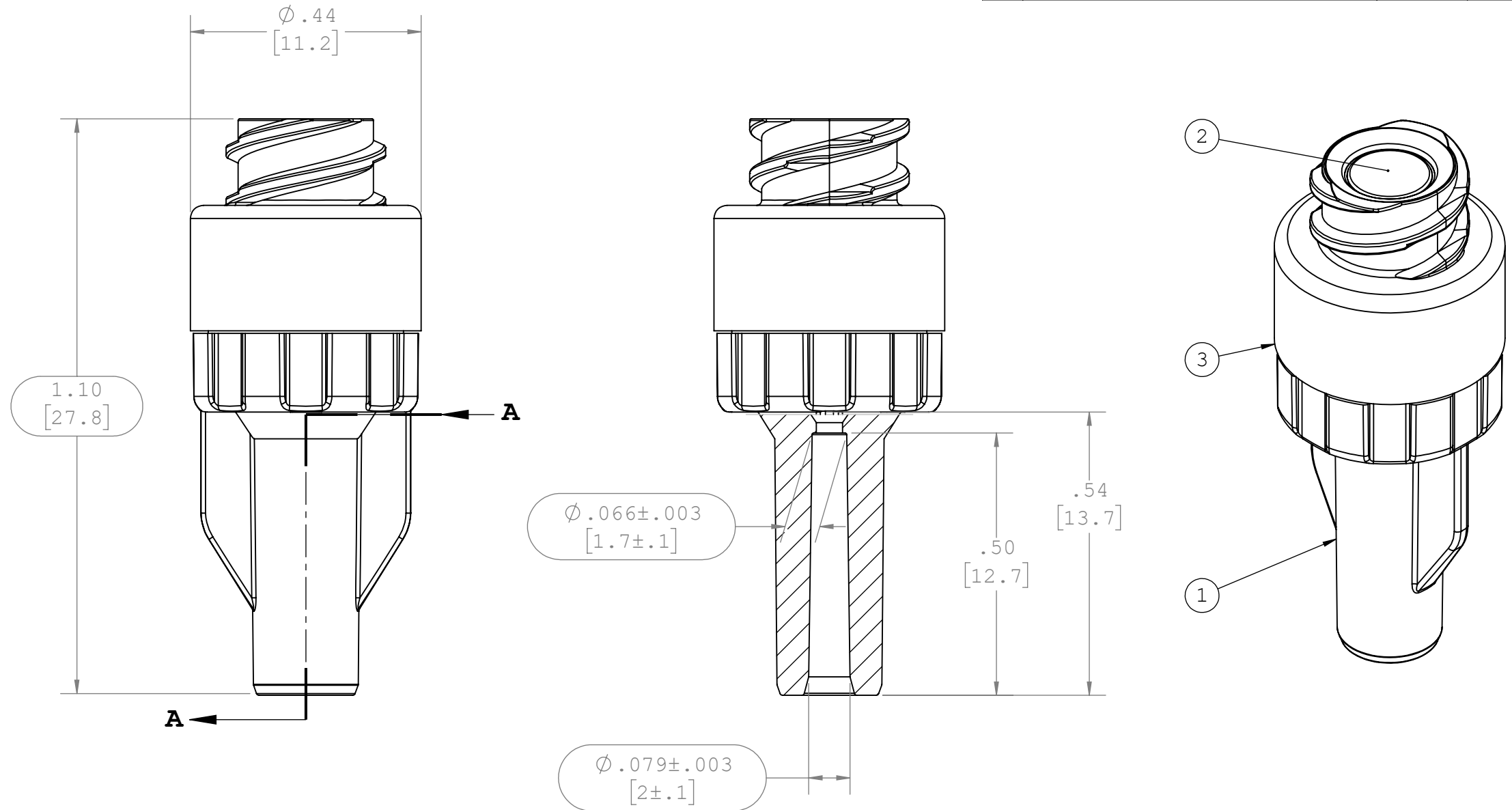


NOTES:

1. FOR ADDITIONAL DETAILS, PLEASE CONTACT HALKEY-ROBERTS CUSTOMER SERVICE.
2. DIMENSIONS MARKED   ARE CONTROL DIMENSIONS.
3. LUER COMPATIBLE WITH ISO 594-2 AND ISO 80369-7.
4. VALVE SPECIFICATIONS:
  1. BACK PRESSURE: >30 PSI [2.1 BAR], 40 PSI NOMINAL.
  2. BIOCOMPATABILITY: PASSES ISO 10993, PART 1.
  3. MATERIALS: ALL MATERIALS ARE GAMMA RESISTANT, MEET USP CLASS VI, ARE DEHP FREE, AND NOT MADE WITH NATURAL RUBBER LATEX.
  4. STERILIZATION: ETO AND GAMMA, BASED ON RAW MATERIAL SPECIFICATIONS.

REVISIONS			
REV.	DESCRIPTION	DATE	APPROVED
A	INITIAL RELEASE, ECO-13171	03/25/26	DK



SECTION A-A

Assembly SKU	Item No.	Description	Material	Color	QTY.
245520024-001	1	TUBE END CONNECTOR, 2.0mm	PC	CLEAR	1
	2	STEM, GAMMA	SILICONE	BLUE	1
	3	LUER BODY, FULL THREAD	PC	CLEAR	1
245520024-011	1	TUBE END CONNECTOR, 2.0mm	PC	CLEAR	1
	2	STEM, GAMMA	SILICONE	CLEAR	1
	3	LUER BODY, FULL THREAD	PC	CLEAR	1
245520060-001	1	TUBE END CONNECTOR, 2.0mm	COPOLYESTER	CLEAR	1
	2	STEM, GAMMA	SILICONE	BLUE	1
	3	LUER BODY, FULL THREAD	COPOLYESTER	CLEAR	1
245520060-011	1	TUBE END CONNECTOR, 2.0mm	COPOLYESTER	CLEAR	1
	2	STEM, GAMMA	SILICONE	CLEAR	1
	3	LUER BODY, FULL THREAD	COPOLYESTER	CLEAR	1

UNLESS OTHERWISE SPECIFIED DIMENSIONS ARE IN INCHES TOLERANCES ARE:		<b>HALKEY   ROBERTS®</b> A Nordson MEDICAL Company			
FRACTIONS ±		DECIMAL .XX ±.01 .XXX ±.005 .XXXX ±.001	ANGULAR ± 1°		PART NUMBER: C2455200XX-XXX
DO NOT SCALE DRAWING		DESCRIPTION: TUBE END PORT VALVE, 2.0mm			
DRAWN BY: allen.cuadra	DATE: 12/10/2025	SIZE: <b>B</b>	SCALE: NTS	VER: 	DWG. NO. 1883032
MANAGER: david.kundinger		HALKEY-ROBERTS®			REV: A
				SHEET: 1 OF 1	

FOR REFERENCE ONLY