
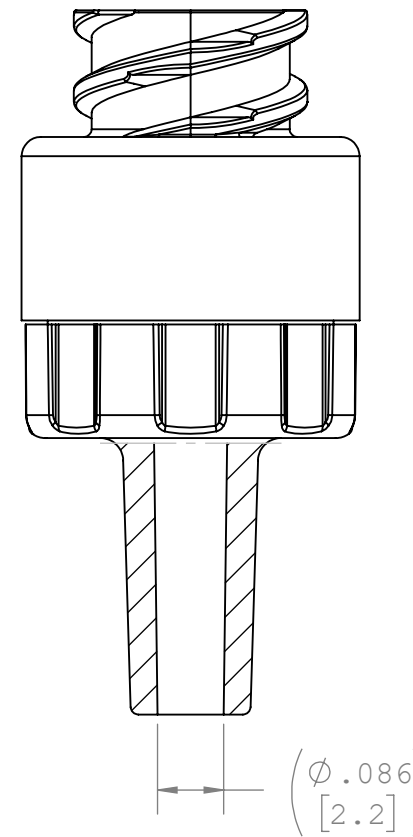
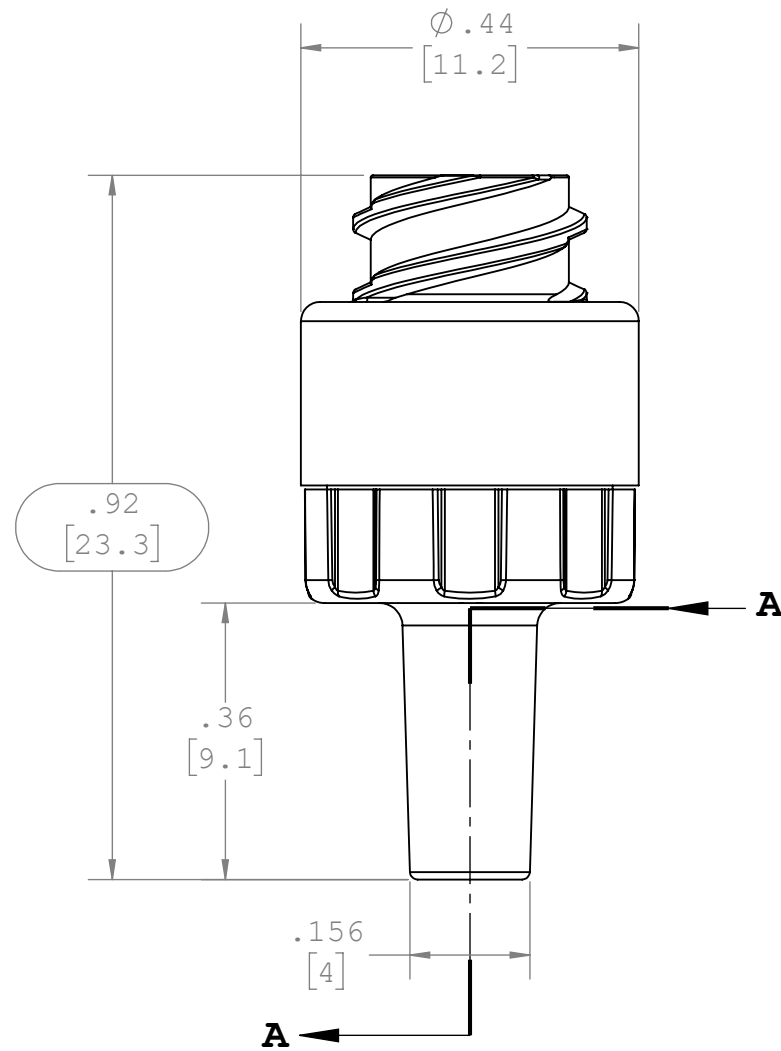


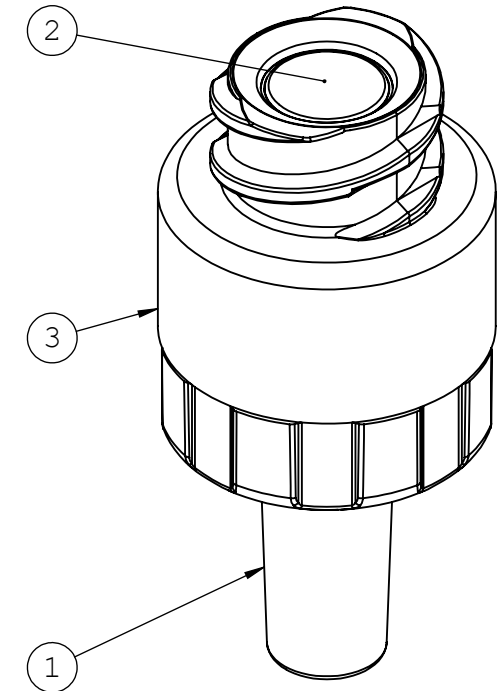
NOTES:

1. FOR ADDITIONAL DETAILS, PLEASE CONTACT HALKEY-ROBERTS CUSTOMER SERVICE.
2. DIMENSIONS MARKED  ARE CONTROL DIMENSIONS.
3. REFERENCE USAGE: UNIT WILL FIT 0.157" [4 mm] I.D. TUBING.
4. LUER COMPATIBLE WITH ISO 594-2 AND ISO 80369-7.
5. VALVE SPECIFICATIONS:
 1. BACK PRESSURE: >30 PSI [2.1 BAR], 40 PSI NOMINAL.
 2. BIOCOMPATIBILITY: PASSES ISO 10993, PART 1.
 3. MATERIALS: ALL MATERIALS ARE GAMMA RESISTANT, MEET USP CLASS VI, ARE DEHP FREE, AND NOT MADE WITH NATURAL RUBBER LATEX.
 4. STERILIZATION: ETO AND GAMMA BASED ON RAW MATERIAL SPECIFICATIONS.

REVISIONS			
REV.	DESCRIPTION	DATE	APPROVED
A	INITIAL RELEASE, ECO-13171	03/25/26	DK



SECTION A-A



Assembly SKU	Item No.	Description	Material	Color	QTY.
245501024-001	1	TUBE END CONNECTOR, BONDABLE	PC	CLEAR	1
	2	STEM, GAMMA	SILICONE	BLUE	1
	3	LUER BODY, FULL THREAD	PC	CLEAR	1
245501060-001	1	TUBE END CONNECTOR, BONDABLE	COPOLYESTER	CLEAR	1
	2	STEM, GAMMA	SILICONE	BLUE	1
	3	LUER BODY, FULL THREAD	COPOLYESTER	CLEAR	1

UNLESS OTHERWISE SPECIFIED DIMENSIONS ARE IN INCHES TOLERANCES ARE:		HALKEY ROBERTS® A Nordson MEDICAL Company			
FRACTIONS ± DECIMAL ± ANGULAR ± 1° .XX ±.01 .XXX ±.005 .XXXX ±.001		PART NUMBER: C2455010XX-XXX			
DO NOT SCALE DRAWING		DESCRIPTION: BONDABLE PORT VALVE, MALE LUER			
DRAWN BY: allen.cuadra	DATE: 12/10/2025	SIZE: B	SCALE: NTS	VER: 	DWG. NO. 1883031 REV A
MANAGER: david.kunding		HALKEY-ROBERTS®			SHEET: 1 OF 1

FOR REFERENCE ONLY