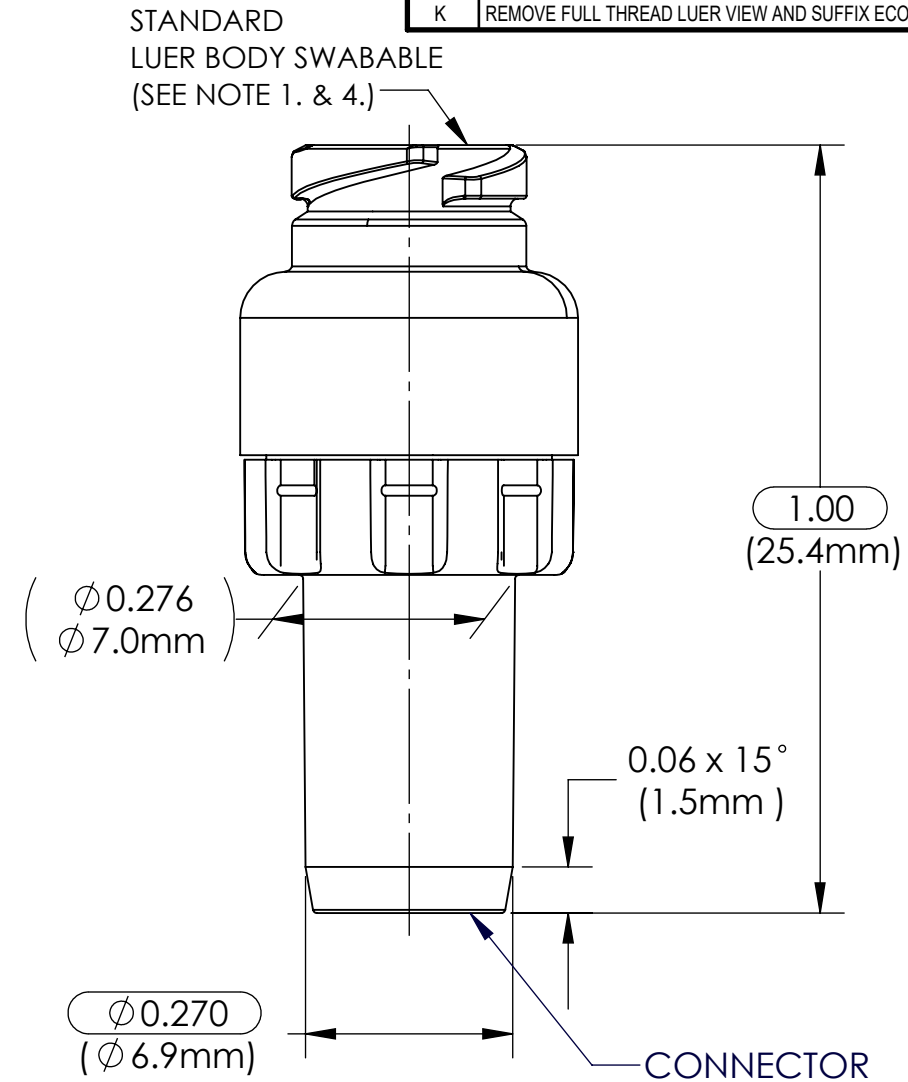
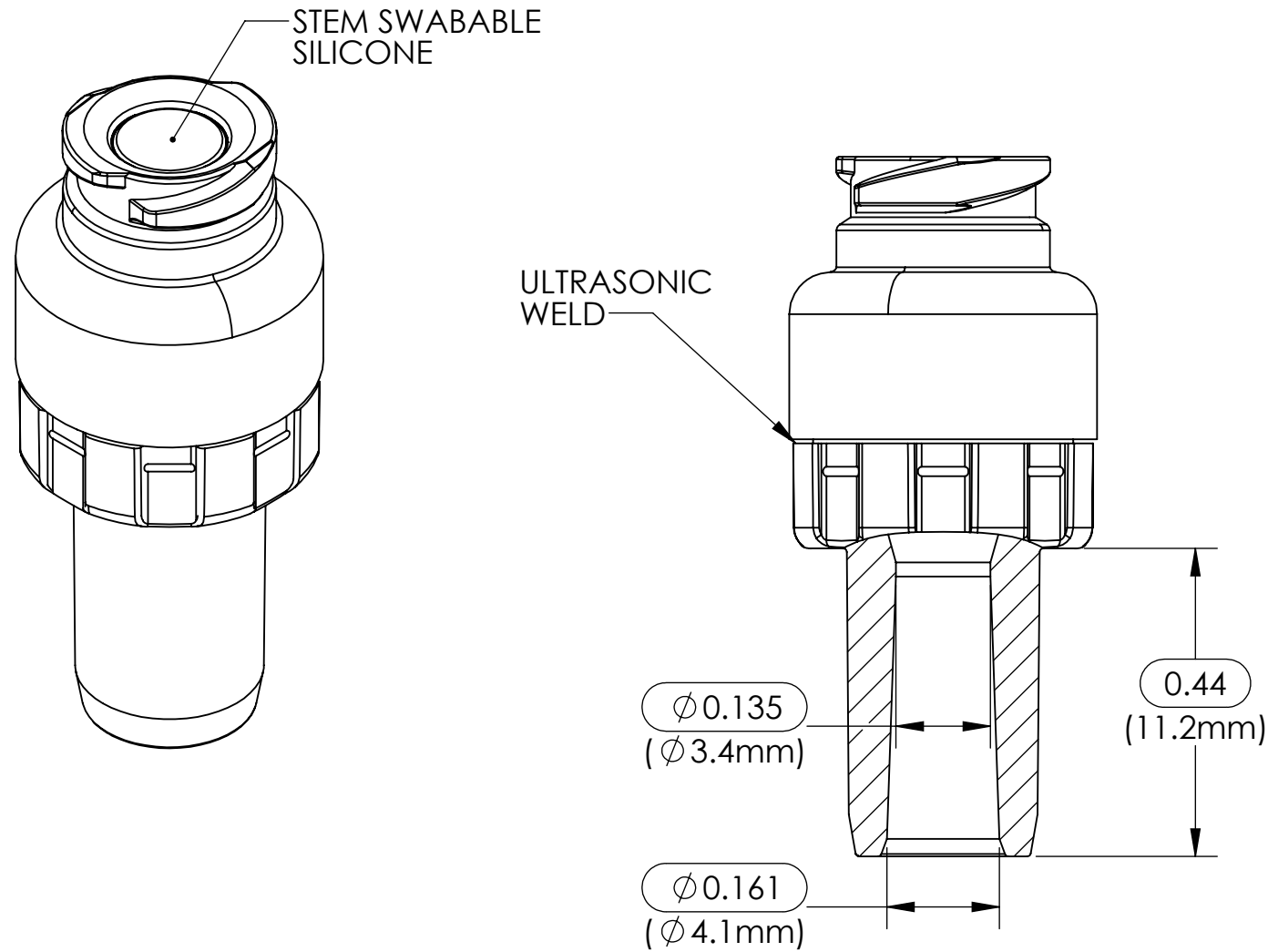


REV	DESCRIPTION (ECO)	DATE	APPROVED
J	UPDATE MAT. CALLOUT FOR SILICONE SEE SHEET 2. ECO 13097	07/08/25	DK
K	REMOVE FULL THREAD LUER VIEW AND SUFFIX ECO 13125	01/08/26	JS



NOTES:

- SUFFIX "XX" INDICATES MATERIAL AND COLOR FOR LUERO BODY CAP, AND STEM COLOR.
024 - POLYCARBONATE CLEAR, WITH BLUE STEM
024R - POLYCARBONATE RED, WITH BLUE STEM
024B - POLYCARBONATE BLUE, WITH BLUE STEM
524 - POLYCARBONATE CLEAR, WITH CLEAR STEM
- CRITICAL DIMENSIONS ARE CIRCLED AND SUBJECT TO INSPECTION.
DIMENSIONS IN PARENTHESES ARE FOR REFERENCE ONLY.
ALL DIMENSIONS ARE IN INCHES WITH THE NOMINAL DIMENSION IN MILLIMETERS BELOW.
- REFERENCE USAGE: UNIT WILL FIT 6.6MM (0.260") I.D. TUBING.
- LUERO COMPATIBLE WITH ISO594-2, AND ISO80369-7.

VALVE SPECIFICATION:

BACK PRESSURE: > 30 PSI, REF. (2.1BAR). (40 PSI NOMINAL).
 BIOCOMPATIBILITY: PASSES ISO 10993, PART 1.
 MATERIALS: ALL MATERIALS ARE GAMMA RESISTANT, MEET USP CLASS VI: ARE DEHP FREE, AND NOT MADE WITH NATURAL RUBBER LATEX.
 STERILIZATION: ETO, GAMMA, AND STEAM BASED ON RAW MATERIAL SPECIFICATIONS.

QUALITY CRITERIA
O.D. FLASH: 0.015 MAX (0.4mm)
GATE VESTIGE: 0.01 MAX (0.3mm)
EMBEDDED PARTICLES, BUBBLES, SPOTS, STAINS: 0.3mm ² MAX. NO MORE THAN 3 PER PART.

MOLDED PARTS:
GATES, PARTING LINES, AND FLASH PER QUALITY CRITERIA

PROPRIETARY AND CONFIDENTIAL
THE INFORMATION CONTAINED IN THIS DRAWING IS SOLE PROPERTY OF HALKEY-ROBERTS CORPORATION. ST. PETERSBURG, FL. ANY REPRODUCTION IN PART OR AS A WHOLE WITHOUT THE WRITTEN PERMISSION OF HALKEY-ROBERTS CORPORATION IS PROHIBITED.

DRAWN BY	KH	DATE	7/18/2016
APPROVED BY	AK	DATE	1/18/2016
MATERIAL	SEE NOTES		
FINISH	N/A		
UNLESS OTHERWISE SPECIFIED: DIMENSIONS ARE IN INCHES TOLERANCES: ANGULAR: ± 1° TWO PLACE DECIMAL ± .01 THREE PLACE DECIMAL ± .005		THIRD ANGLE PROJECTION	

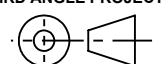
HR® Halkey-Roberts®	
TITLE Swabable Bag Access Port	
SIZE B	DRAWING NO. C245110XX
SCALE 4:1	SHEET 1 OF 2

BILL OF MATERIAL:

SUFFIX	LUER BODY	CONNECTOR	STEM
024	CLEAR POLYCARBONATE MAKROLON Rx 1805 451118		
024R	CLEAR POLYCARBONATE MAKROLON Rx 1805 451118 2% RED CLARIANT TRANSPARENT	CLEAR POLYCARBONATE MAKROLON Rx 1805 451118	BLUE SILICONE 40 DUROMETER WACKER LR3003/40HR DT COLOR, K75238
024B	CLEAR POLYCARBONATE MAKROLON Rx 1805 451118 4% BLUE CLARIANT TRANSPARENT		
524	CLEAR POLYCARBONATE MAKROLON Rx 1805 451118		

MOLDED PARTS:
GATES, PARTING LINES, AND FLASH PER QUALITY CRITERIA

PROPRIETARY AND CONFIDENTIAL
THE INFORMATION CONTAINED IN THIS DRAWING IS SOLE PROPERTY OF HALKEY-ROBERTS CORPORATION, ST. PETERSBURG, FL. ANY REPRODUCTION IN PART OR AS A WHOLE WITHOUT THE WRITTEN PERMISSION OF HALKEY-ROBERTS CORPORATION IS PROHIBITED.

DRAWN BY	KH	DATE	7/18/2016
APPROVED BY	AK	DATE	1/18/2016
MATERIAL	SEE NOTES		
FINISH	N/A		
UNLESS OTHERWISE SPECIFIED:		THIRD ANGLE PROJECTION	
DIMENSIONS ARE IN INCHES			
TOLERANCES:			
ANGULAR: ± 1°			
TWO PLACE DECIMAL ± .01		SIZE B	
THREE PLACE DECIMAL ± .005		SCALE 4:1	

HR® Halkey-Roberts®		
TITLE Swabable Bag Access Port		
DRAWING NO.	REV	
C245110XX	K	
DO NOT SCALE DRAWING		SHEET 2 OF 2